

HCP4000 SERIES

3000 rpm pumps

2

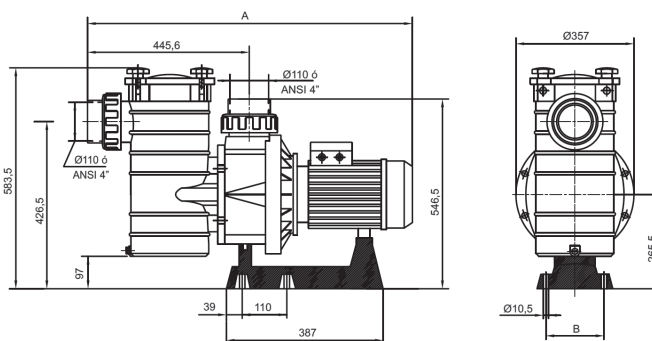
YEARS OF WARRANTY



IE3 ✓

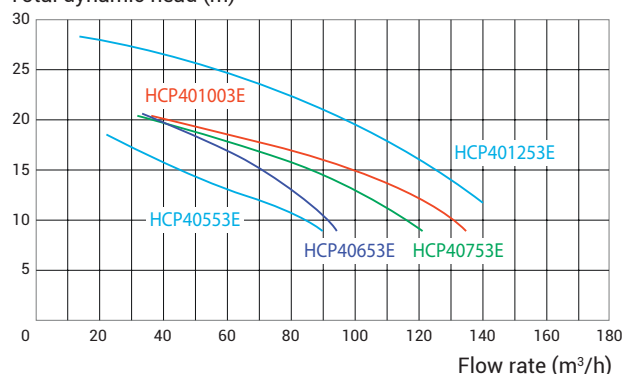
High-capacity pumps

- ⊕ Self-priming centrifugal pump made of **glass-fibre reinforced thermoplastics**
- ⊕ **Light weight and easy to install**
- ⊕ **The three-phase motors are compliant with the IE3 standard**
- ⊕ High-performance hydraulics
- ⊕ Turbine made of reinforced Noryl
- ⊕ **This pump is suitable to be used for salt water and sea water**
- ⊕ **High-performance TEFC motor**
- ⊕ **High-capacity strainer (14 l) with transparent cover** for easy maintenance
- ⊕ Elevated base to ensure **proper motor ventilation**
- ⊕ **Wide power range: from 5.5 hp to 12.5 hp**
- ⊕ **Operates at 50 Hz / 3000 rpm, IP55, class F insulation**
- ⊕ **For 60 Hz, please contact us.**
Ansi raccords can be provided under request.
- ⊕ Usages: very large pools, spas, water features



⊕ HCP4000 SERIES Curves

Total dynamic head (m)



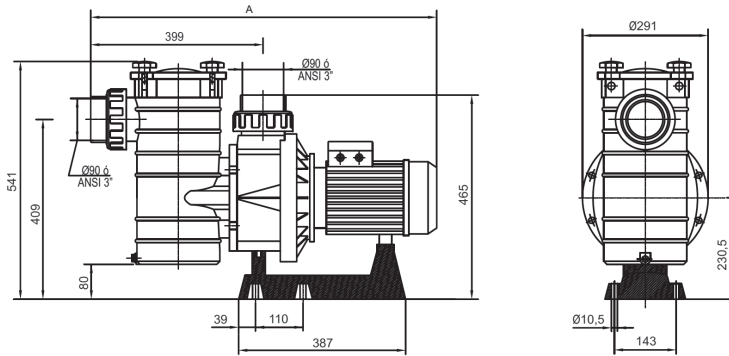
Reference	P2 (HP)	P1 (kW)	Flow rate* (m³/h)	Inlet / Outlet (mm)	Weight (kg)	Motor	Amperage (A)	Dim A (mm)	Dim B (mm)	Packaging dimensions (mm)	Qty. per pallet (uds)	
HCP40553E1	5.5	4.7	64.0	110	45	Three-phase 400 / 700V	9.0 / 5.2	889	143	940 x 390 x 620	6	
HCP40653E1	6.5	5.8	84.2	110	46	Three-phase 400 / 700V	11.5 / 6.6	914	143	940 x 390 x 620	6	
HCP40753E1	7.5	7.0	104.5	110	52	Three-phase 400 / 700V	12.1 / 7.0	914	143	940 x 390 x 620	6	
HCP401003E1	10	8.7	115.6	110	66	Three-phase 400 / 700V	15.8 / 9.2	944	185	940 x 390 x 620	3	
HCP401253E1	12.5	10.2	137	110	76	Three-phase 400 / 700V	18 / 10.4	984	181.5	-	3	
HCP40553E	5.5	4.7	64.0	110	45	Three-phase 400 / 700V	9.0 / 5.2	914	143	940 x 390 x 620	6	IE3 ✓
HCP40653E	6.5	5.9	84.2	110	46	Three-phase 400 / 700V	11.5 / 6.6	914	143	940 x 390 x 620	6	IE3 ✓
HCP40753E	7.5	7.0	104.5	110	52	Three-phase 400 / 700V	12.1 / 7.0	914	143	940 x 390 x 620	6	IE3 ✓
HCP401003E	10	8.7	115.6	110	66	Three-phase 400 / 700V	15.8 / 9.2	944	185	940 x 390 x 620	3	IE3 ✓
HCP401253E	12.5	10.2	137	110	76	Three-phase 400 / 700V	18 / 10.4	984	181.5	-	3	IE3 ✓

*under 12 m water column pressure / P1: Power input / P2: Nominal power

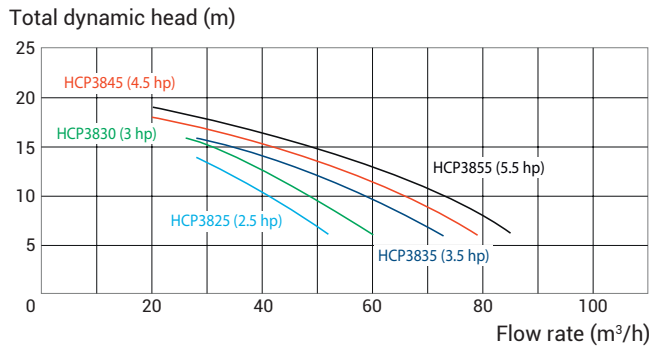


Light weight and easy to install

- Pump made of glass-fibre reinforced thermoplastics
- The three-phase motors are compliant with the IE3 standard
- Turbine made of reinforced Noryl
- This pump is suitable to be used for salt water and sea water
- Strainer with transparent cover for easy maintenance
- Elevated base to ensure proper motor ventilation
- Operates at 50 Hz / 3000 rpm, IP55, class F insulation
- For 60 Hz, please contact us. ANSI records can be provided under request.
- Usages: large pools, spas, water features



➤ HCP3800 SERIES Curves



HCP 3800
SERIES

Reference	P2 (HP)	P1 (kW)	Flow rate* (m³/h)	Inlet / Outlet (mm)	Weight (kg)	Motor	Amperage (A)	Dim A (mm)	Packaging dimensions (mm)	Qty. per pallet (uds)
HCP38251E	2.5	2.3	35	90	25.5	Single-phase 230V	12.4	760	830 x 330 x 570	-
HCP38301E	3	2.8	42	90	26.2	Single-phase 230V	14.5	760	830 x 330 x 570	-
HCP38253E1	2.5	2.3	35	90	25.5	Three-phase 230 / 400V	8.3 / 4.8	760	830 x 330 x 570	-
HCP38303E1	3	2.8	42	90	26.2	Three-phase 230 / 400V	8.8 / 5.1	760	830 x 330 x 570	-
HCP38353E1	3.5	3.7	50	90	30.5	Three-phase 230 / 400V	10.4 / 6.0	801	830 x 330 x 570	-
HCP38453E1	4.5	4.3	57	90	30.5	Three-phase 230 / 400V	11.7 / 6.75	801	830 x 330 x 570	-
HCP38553E1	5.5	4.7	67	90	35.5	Three-phase 230 / 400V	14.6 / 8.5	815	830 x 330 x 570	-
HCP38253E	2.5	2.3	35	90	-	Three-phase 230 / 400V	8.3 / 4.8	760	830 x 330 x 570	-
HCP38303E	3	2.8	42	90	-	Three-phase 230 / 400V	8.8 / 5.1	760	830 x 330 x 570	-
HCP38353E	3.5	3.7	50	90	-	Three-phase 230 / 400V	10.4 / 6.0	801	830 x 330 x 570	-
HCP38453E	4.5	4.3	57	90	-	Three-phase 230 / 400V	11.7 / 6.75	801	830 x 330 x 570	-



* under 12m water column pressure / P1: Power input / P2: Nominal Power

HCP3600 SERIES

3000 rpm pumps

2

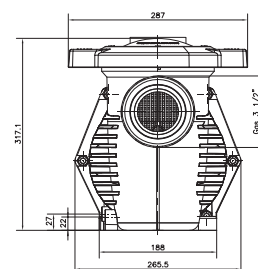
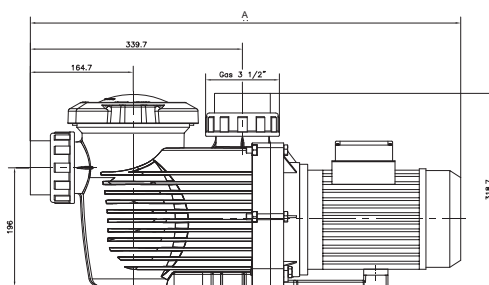
YEARS OF WARRANTY



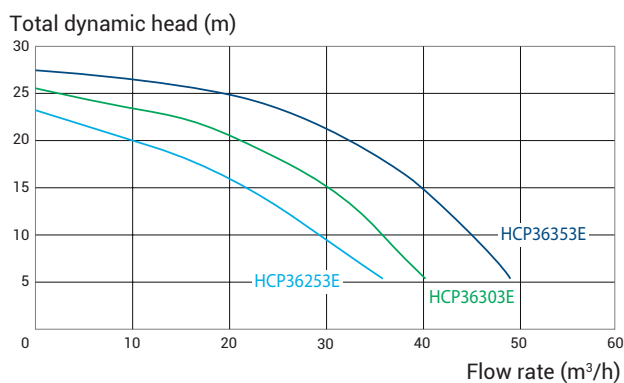
IE3 ✓

High performance TEFC

- Pump made of glass-fibre reinforced thermoplastics
- Light weight and easy to install
- The three-phase motors are compliant with the IE3 standard
- Turbine made of reinforced Noryl
- This pump is suitable to be used for salt water and sea water
- Strainer with transparent cover for easy maintenance
- Twist-lock closing includes diameter 75 socket unions.
- Range from 2,5 hp to 3,5 hp
- Operates at 50 Hz / 3000 rpm, IP55, class F insulation
- For 60 Hz, please contact us. ANSI raccords can be provided under request.
- Usages: large pools, spas, water features



➤ HCP3600 SERIES Curves



HCP 3600 SERIES

Reference	P2 (HP)	P1 (kW)	Flow rate* (m ³ /h)	Inlet / Outlet (mm)	Weight (kg)	Motor	Amperage (A)	Dim A (mm)	Packaging dimensions (mm)	Qty. per pallet (uds)
HCP36251E	2.5	2.4	30	75	24	Single-phase 230V	12.5	669	285 x 285 x 720	20
HCP36253E1	2.5	2.4	30	75	24	Three-phase 230 / 400V	8.3 / 4.8	669	285 x 285 x 720	20
HCP36301E	3	2.8	36	75	26	Single-phase 230V	14.5	669	285 x 285 x 720	20
HCP36303E1	3	2.8	36	75	24	Three-phase 230 / 400V	8.8 / 5.1	669	285 x 285 x 720	20
HCP36353E1	3.5	3.4	45	75	27	Three-phase 230 / 400V	12.1 / 7	710	285 x 285 x 720	20
HCP36253E	2.5	2.1	30	75	28.5	Three-phase 230 / 400V	8.3 / 4.8	669	285 x 285 x 720	20
HCP36303E	3	2.8	36	75	28.5	Three-phase 230 / 400V	8.8 / 5.1	669	285 x 285 x 720	20
HCP36353E	3.5	3.8	45	75	31.5	Three-phase 230 / 400V	12.1 / 7	710	285 x 285 x 720	20

IE3 ✓

IE3 ✓

IE3 ✓

* under 10m water column pressure / P1: Power input / P2: Nominal Power



Flanged rubber expansion joint

➔ Expansion joint made from elastic materials that permits the compensation of dilatations and small misalignments in the installation. It can also compensate the vibrations and noise in the pipeline produced by the pump. The loose flanges made of galvanized carbon steel have installation bores according to standards DIN 2502 (PN16) up to diameter DN150, and DIN 2576 (PN10) from DN200 to DN300. The sealing of the union is ensured thanks to the EPDM rubber bellows. The use of the flanged rubber expansion joints is specially indicated for the installation of the cast iron pumps to the pipeline.

ITEM	DESCRIPTION
905603010050	Flanged rubber expansion joint for DN50
905603010065	Flanged rubber expansion joint for DN65
905603010080	Flanged rubber expansion joint for DN80
905603010100	Flanged rubber expansion joint for DN100
905603010125	Flanged rubber expansion joint for DN125
905603010150	Flanged rubber expansion joint for DN150
905603010200	Flanged rubber expansion joint for DN200
905603010250	Flanged rubber expansion joint for DN250
905603010300	Flanged rubber expansion joint for DN300



Union kits

➔ The union kits are the couplings used to connect the pumps with threaded connections to the pipeline. These union kits are composed by an O-Ring, who ensures the sealing, a coupling sleeve that fits with the pipe of the installation, and a nut that tightens the assembly. As standard, the 50Hz pumps are supplied with DIN couplings for Ø90mm and Ø110mm, according to the model of the pump. Optionally, the coupling kits also can be provided according to ANSI sizes 500100150001 RPUM2425.01R union kit 3" ANSI for HCP3800 & HCP1000 of pipeline or 3" and 4".

ITEM	REFERENCE ACCORDING TO ANSI STANDARD
500100150001	RPUM2425.01R union kit 3" ANSI for HCP3800 & HCP1000
500100150003	RPUM2425.12R union kit 4" ANSI for HCP4000, HCP4200 & HCP1100



Lineal check valves sight glass body

➔ These flap valves are typically installed at the impulsion of the pumps to avoid the water hammers that may occur in the pump stops. This check valve includes a sight glass body made of transparent plastic that allows viewing the inside of the pipe, as well as the state of the flap valve.

ITEM	DESCRIPTION
HCVRL63	Lineal check valve Netvitc D.63mm Sight Glass 63 mm
HCVRL75	Lineal check valve Netvitc D.75mm Sight Glass 63 mm
HCVRL90	Lineal check valve Netvitc D.90m Sight Glass 125 mm
HCVRL110	Lineal check valve Netvitc D.110mm Sight Glass 125 mm
HCVRL125	Lineal check valve Netvitc D.125mm Sight Glass 125 mm
HCVRL140	Lineal check valve Netvitc D.140mm Sight Glass 160 mm
HCVRL160	Lineal check valve Netvitc D.160mm Sight Glass 160 mm
HCVRL200	Lineal check valve Netvitc D.200mm Sight Glass 200 mm